

# Ford PMGR Starter Component Parts



**Metro Auto Industrial Inc.**

**Toll Free: 1-800-263-8761**

# FORD PMGR STARTER

## Table of Contents

---

<b>Parts Lists-OEM to Metro</b> .....	2
<b>Parts Lists-Lester to Metro</b> .....	3
<b>Metro Part Number Index</b> .....	4
<b>Buyer's Guide</b>	
51- Drive End Housing .....	5 - 7
52- C.E.Plate .....	7
55- Shift Lever Parts .....	7
57- Field Housing .....	8
58- Magnet .....	8
61- Armature & Parts .....	8
66- Solenoid .....	8
68- Brushes .....	9
69- Brush Holder & Parts .....	9
71- Seal, Grommet & Drain Tube .....	9
72- Insulator .....	9
76- Miscellaneous Parts .....	9 - 10
84- Washer .....	10
85- Bolt, Screw .....	10
Drive End Housing Specified Chart .....	10
<b>D.E. Housing Specified Chart</b> .....	11
<b>Ford PMGR Series</b> .....	12 - 23
<b>Lester to Metro Parts Number</b> .....	24
<b>OE Number to Metro Parts Number</b> .....	25
<b>WAI to Metro Parts Number</b> .....	26
<b>Note</b> .....	27 -28

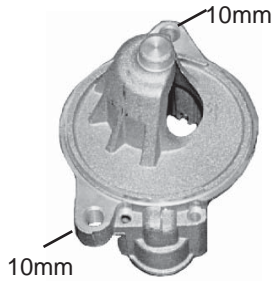




# Metro Part Number Index

Metro P/N	Description	Page	Metro P/N	Description	Page
51-2037	D.E. Housing	5	71-23007	Seal	9
51-2038	D.E. Housing	5	71-23008	Grommet	9
51-2039	D.E. Housing	5	72-21015	Insulator	9
51-2040	D.E. Housing	5	76-23002	Gear Retainer	9
51-2041	D.E. Housing	5	76-23003	Pivot Pat	9
51-2042	D.E. Housing	5	76-23004	Bracket	9
51-2043	D.E. Housing	5	76-23005	Bracket	10
51-2044	D.E. Housing	5	76-26000	Terminal Lead	10
51-2045	D.E. Housing	5	76-28000	Stop Ring	10
51-2046	D.E. Housing	6	76-28001	Retainer	10
51-2047	D.E. Housing	6	76-28008	Retainer	10
51-2048	D.E. Housing	6	76-28009	Shaft	10
51-2049	D.E. Housing	6	76-28010	Planetary Gear	10
51-2050	D.E. Housing	6	76-28011	Stationary Gear	10
51-2051	D.E. Housing	6	76-28014	Retainer-Magnet	10
51-2052	D.E. Housing	6	84-47012	Thrust Washer	10
51-2053	D.E. Housing	6	85-13017	Thru Bolt	10
51-2054	D.E. Housing	6	85-13020	Screw	10
51-2055	D.E. Housing	7			
51-2056	D.E. Housing	7			
51-2057	D.E. Housing	7			
51-2058	D.E. Housing	7			
52-2012	C.E. Housing	7			
54-2012	Drive	7			
54-2014	Drive	7			
54-2015	Drive	7			
55-2009	Shift Lever	7			
57-22009	Field Housing Assy.	8			
58-25000	Magnet	8			
58-25001	Magnet	8			
61-2010	Armature	8			
61-22001	Commutator-Armature	8			
61-28002	Shaft-Armature	8			
66-2005	Solenoid	8			
66-2007	Solenoid	8			
66-2009	Solenoid	8			
66-22001	Solenoid Cap Assy.	8			
66-22003	Solenoid Cap Assy.	8			
68-2017	Brush & Lead Assy.	9			
68-2018	Brush	9			
68-2019	Brush	9			
69-2000	Brush Holder Assy.	9			
69-22006	Brush Holder	9			
69-27004	Brush Holder Spring	9			

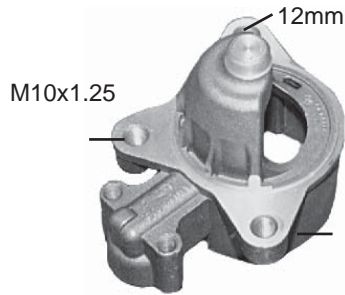
# FORD PMGR STARTER PARTS



**51-2037**

**D.E. Housing**

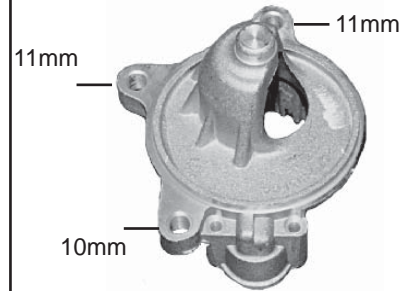
**Replaces:** E9SF-11130-AA;  
E9SZ-11130-A;F2SU-11130-AA;  
F2SZ-11130-A  
**Unit No:** E9SF-11000-AA,-BA;  
E9SZ-11002-A;E9SZ-11002-B  
**Lester:** 3205, 3268  
**Dim:** 10mm & 11mm Mtg. Holes;  
54mm Skirt Length



**51-2040**

**D.E. Housing**

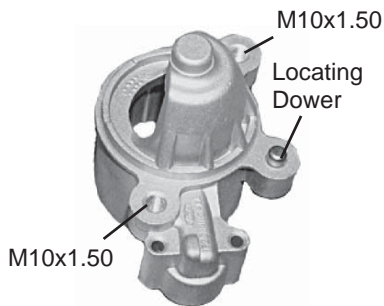
**Replaces:** F0CF-11130-AA,  
F0FZ-11130-A, F2CU-11130-AA,  
F2CZ-11130-A  
**Unit No:** F0CF-11000-AA,  
F0CF-11000-AB, F0FZ-11002-B  
**Lester:** 3214  
**Dim:** M10 x 1.25 & 12mm Mtg. Holes



**51-2043**

**D.E. Housing**

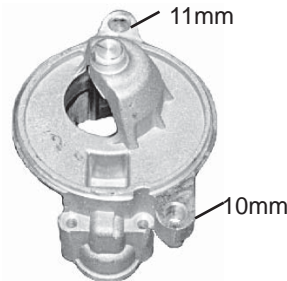
**Replaces:** F17U-11130-AA  
F1TZ-11130-A  
**Unit No:** F17U-11000-AB,  
F1TZ-11002-A  
**Lester:** 3231  
**Dim:** 10mm, 11mm Mtg. Holes



**51-2038**

**D.E. Housing**

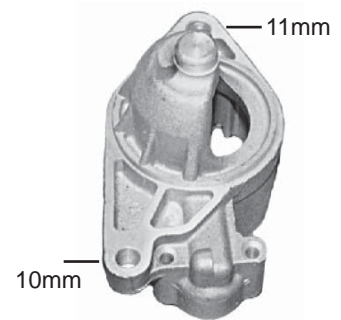
**Replaces:** E9OF-11130-AA;  
E9OY-11130-A;F2OY-11130-A;  
F2OU-11130-AA  
**Unit No:** E9OF-11000-AA,-BA;  
E9OY-11002-A,-B;F0OU-11000-AA;  
F0OY-11002-A;F23U-11000-A;  
F23Z-11002-A;F2DU-11000-AA,-BA;  
F2DZ-11002-A  
**Lester:** 3204,3219  
**Dim:** M10 x 1.5 Mtg. Holes;  
1-Mtg. Hole w/Locating Dowel  
54mm Skirt Length



**51-2041**

**D.E. Housing**

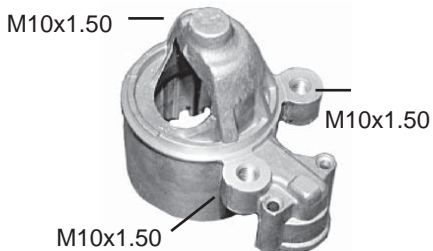
**Replaces:** F07F-11130-AA,  
F0TZ-11130-A, F27U-11130-AA  
**Unit No:** F07U-11000-AA,  
F0TZ-11002-A  
**Mazda:** ZZL0-18-400  
**Lester:** 3232  
**Dim:** 10mm, 11mm Mtg. Holes;  
64mm Skirt Length



**51-2044**

**D.E. Housing**

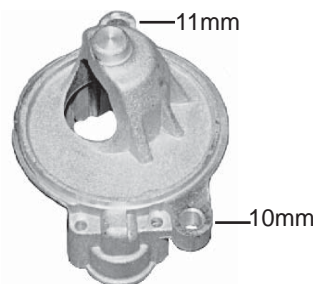
**Replaces:** F1VU-11130-AA,  
F1VY-11130-A  
**Unit No:** F1VU-11000-AA,  
F1VY-11002-A  
**Lester:** 3242  
**Dim:** 10mm, 11mm Mtg. Holes



**51-2039**

**D.E. Housing**

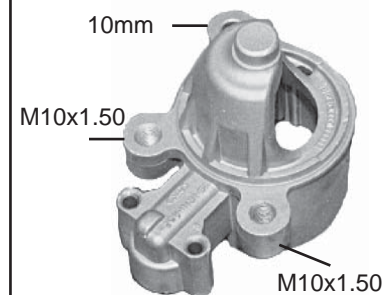
**Replaces:** F02F-11130-AA,  
F02Z-11130-A,F22U-11130-AA,  
F22Z-11130-A  
**Unit No:** F02F-11000-AA,  
F02U-11000-AA,F02Z-11002-A,  
F13U-11000-AA,F13Z-11002-A  
**Lester:** 3213  
**Dim:** M10 x 1.5 Mtg. 3 Holes;w/Bushing



**51-2042**

**D.E. Housing**

**Replaces:** F07F-11130-BA,  
F0TZ-11130-B,F27U-11130-BA  
**Unit No:** F07U-11000-BA,  
F0TZ-11002-B  
**Mazda:** ZZL1-18-400  
**Lester:** 3224  
**Dim:** 10mm, 11mm Mtg. Holes;  
54mm Skirt Length

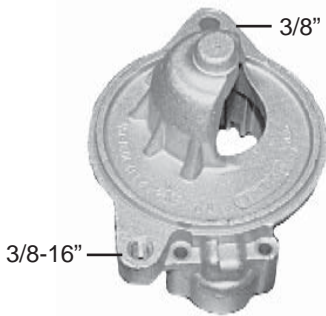


**51-2045**

**D.E. Housing**

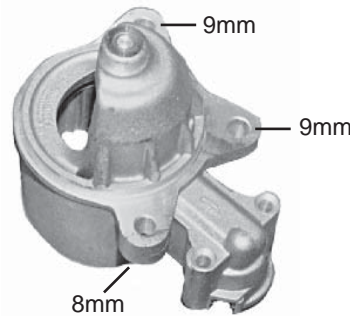
**Replaces:** F0CF-11130-BA,  
F0FZ-11130-B, F2CU-11130-BA,  
F2CZ-11130-B  
**Unit No:** F0CF-11000-BA,  
F0CU-11000-BA, F0FZ-11002-A  
**Lester:** 3217  
**Dim:** M10 x 1.5 & 10mm Mtg. Holes

# FORD PMGR STARTER PARTS



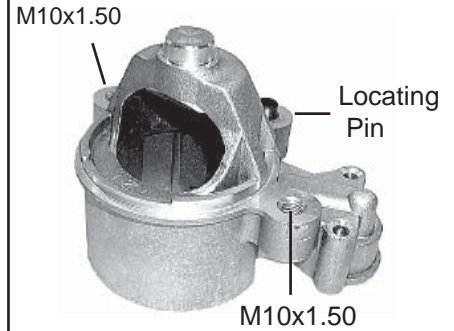
**51-2046**  
**D.E. Housing**

**Replaces:** F2TU-11130-CA,  
F2TZ-11130-C  
**Unit No:** F2TU-11000-CA,F2TZ-11002-C  
**Lester:** 3225  
**Dim:** 3/8"-16 & 0.400" Mtg. Holes;  
56mm Skirt Length



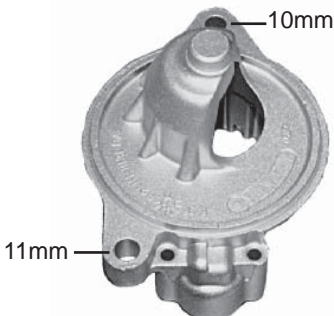
**51-2049**  
**D.E. Housing**

**Replaces:** F2VU-11130-AB,  
F2VY-11130-A  
**Unit No:** F2VU-11000-AC,  
F2VU-11000-AD,F2VY-11002-A  
**Lester:** 3221  
**Dim:** 8mm, 9mm Mtg. Holes;  
w/Bushing



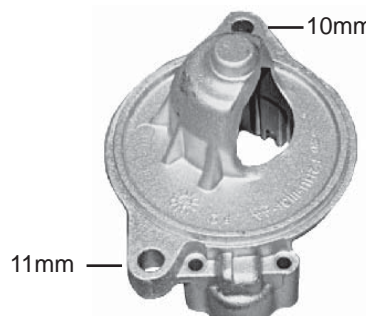
**51-2052**  
**D.E. Housing**

**Replaces:**  
**Unit No:** F3DU-11000-BA,F3DZ-11002-B  
**Lester:** 3230  
**Dim:** Both M10 x 1.50 Mtg. Holes



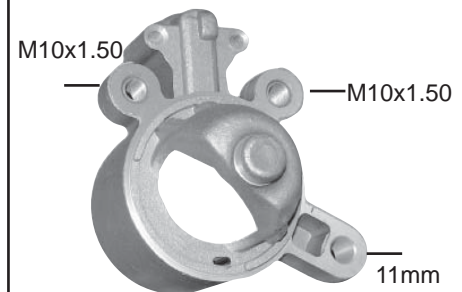
**51-2047**  
**D.E. Housing**

**Replaces:** F2HU-11130-BA,  
F2HZ-11130-B  
**Unit No:** F2HT-11000-BA,F2HZ-11002-B  
**Lester:** 3234  
**Dim:** 10mm, 11mm Mtg. Holes;  
56mm Skirt Length



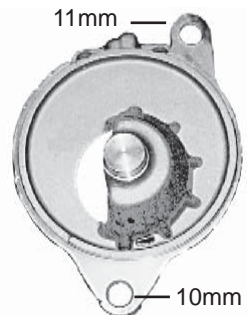
**51-2050**  
**D.E. Housing**

**Replaces:** F2HU-11130-AA,  
F2HZ-11130-A  
**Unit No:** F2HT-11000-AA,F2HZ-11002-A  
**Lester:** 3235  
**Dim:** 10mm, 11mm Mtg. Holes;  
56mm Skirt Length



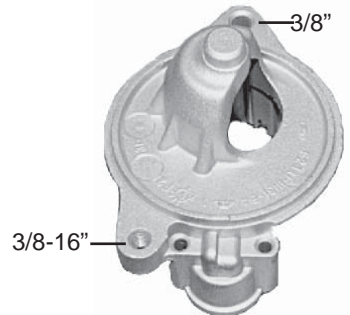
**51-2053**  
**D.E. Housing**

**Replaces:**  
**Unit No:** 93BB-11000-HB;F3RZ-11002-A  
**Lester:** 3261  
**Dim:** M10x1.5, M10x1.5,  
11mm Mtg. Holes



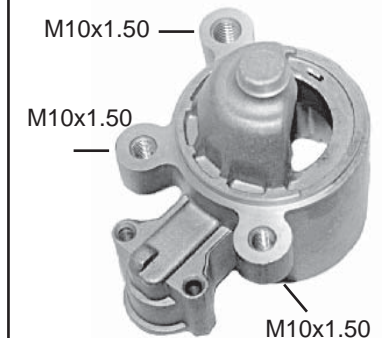
**51-2048**  
**D.E. Housing**

**Replaces:** F2TU-11130-AA,  
F2TZ-11130-A  
**Unit No:** F2TU-11000-AA,F2TZ-11002-A  
**Lester:** 3223  
**Dim:** 10mm, 11mm Mtg. Holes;  
63mm Skirt Length



**51-2051**  
**D.E. Housing**

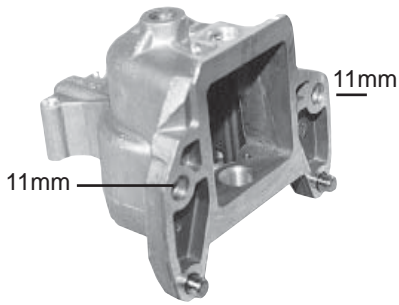
**Replaces:** F2TU-11130-BA,  
F2TZ-11130-B  
**Unit No:** F2TU-11000-BA,F2TZ-11002-B  
**Lester:** 3226  
**Dim:** 3/8"-16 & 0.400" Mtg. Holes;  
56mm Skirt Length



**51-2054**  
**D.E. Housing**

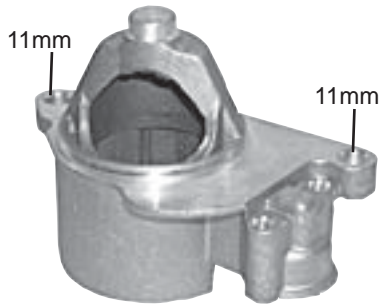
**Replaces:**  
**Unit No:** 93BB-11000-JB;F3RZ-11002-B  
**Lester:** 3262  
**Dim:** Three M10x1.5 Mtg. Holes

# FORD PMGR STARTER PARTS



**51-2055**  
**D.E. Housing**

**Replaces:**  
**Unit No:** 93BB-11000-KA;  
93BB-11000-KB;F3RZ-11002-C  
**Lester:** 3263  
**Dim:** Two 11mm Mtg. Holes



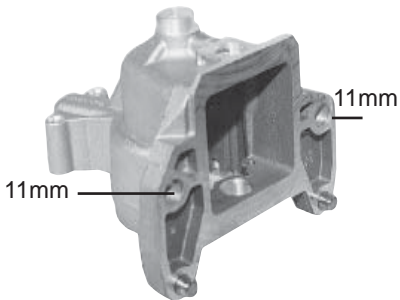
**51-2058**  
**D.E. Housing**

**Replaces:**  
**Unit No:** F77U-11000-AA;F77Z-11002-AA  
**Lester:**  
**Dim:** Two 11mm Mtg. Holes



**54-2014**  
**Drive**  
**9T, CW, 12 SPL**

**Replaces:** F0FZ-11350-A  
**Unit No:** F0FZ-11002-B  
**Lester:** 3214, 6653  
**Dim:** 47mm L x 29mm Gear OD



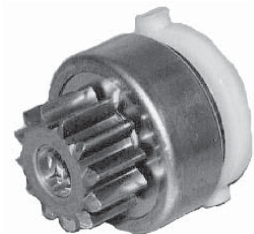
**51-2056**  
**D.E. Housing**

**Replaces:**  
**Unit No:** F5OU-11000-AA;  
F6DU-11000-AA;F5OY-11002-A;  
F6DZ-11002-A  
**Lester:** 3264,3266  
**Dim:** Two 11mm Mtg. Holes



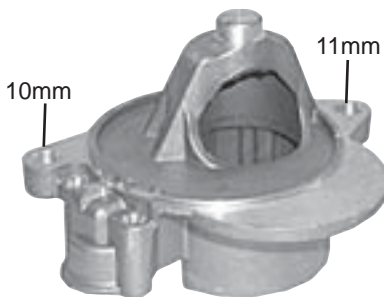
**52-2012**  
**C.E. Housing**

**Replaces:** E9OZ-11049-A  
**Unit No:**  
**Lester:** 3204, 3205, 3268, 3270 .... more  
**Dim:**  
**Note:** 2nd generation, black painted.  
Thru Bolts:(2) 5.4mm Unthreaded  
w/Bushing



**54-2015**  
**Drive**  
**12T, CW, 12 SPL**

**Replaces:** F2VY-11350-A  
**Unit No:** F2VY-11002-A,F3LY-11002-A  
**Lester:** 3221, 3230, 3264, 3267, 6642,  
6643, 6654  
**Dim:** 47mm L x 31mm Gear OD



**51-2057**  
**D.E. Housing**

**Replaces:**  
**Unit No:** F67U-11000-AA  
**Lester:** 3269  
**Dim:** 10mm, 11mm Mtg. Holes



**54-2012**  
**Drive**  
**10T, CW, 12 SPL**

**Replaces:** E9OZ-11350-A  
**Unit No:** E9OY-11002-A,-B;  
E9SZ-11002-A,-B;F0ZZ-11002-A;  
F0FZ-11002-A,F0OY-11002-A,  
F0TZ-11002-A,-B;F13Z-11002-A,  
F1TZ-11002-A,F1VY-11002-A,  
F23Z-11002-A,-B;F2DZ-11002-A,  
F2HZ-11002-A,-B;F2TZ-11002-A,-B,-C,  
F3DZ-11002-A  
**Lester:**  
**Dim:** 47mm L x 28mm Gear OD



**55-2009**  
**Shift Lever**

**Replaces:** E9OZ-11067-A  
**Unit No:**  
**Lester:** 3204, 3205, 3268 ... more  
**Dim:** Fork open 42mm ID, 86mm OAL  
**Note:** 1st design, plastic



# FORD PMGR STARTER PARTS



**57-22009**  
**Field Housing Assy.**  
 Replaces: E9OZ-11075-A



**58-25000**  
**Magnet**  
 (North Pole, 3 pcs Required)



**58-25001**  
**Magnet**  
 (Sorth Pole, 3 pcs Required)



**61-22001**  
**Commutator - Armature**  
 Replaces:  
 Unit No:  
 Lester: 3204, 3205, 3268 ... more  
 Dim:  
 Note:



**61-2010**  
**Armature**  
 Replaces: E90Z-11005-A, E9OF-11005-AA, E9OZ-11005-A  
 Unit No:  
 Lester: 3204, 3205, 3268 ... more  
 Dim: 55.5mm OD, 129mm L  
 Note:



**61-28002**  
**Shaft - Armature**  
 Dim: 129mm Length



**66-2005**  
**Solenoid - 3 Terminal**  
 Replace: F02Z-11390-A  
 Lester: 3204,3205,3213,3214,3217,3218,3219,3221,3223,3224,3225,3226,3227,3228,3230,3231,3232,3233,3234,3235,3242  
 Dim: Switch Term. Male Spade (LH)



**66-2007**  
**Solenoid - 3 Terminal**  
 Replace: F3RZ-11390-A, -B  
 Lester: 3261,3262,3263  
 Dim: Switch Term. M6 x 1.0 Post (RH)



**66-2008**  
**Solenoid - 3 Terminal**  
 Replace: F6VZ-11390-AA, SW-5112  
 Lester:  
 Dim: Switch Term. M6 x 1.0 Post (LH)



**66-2009**  
**Solenoid - 3 Terminal**  
 Replace: F75U-11390-AB, F75Z-11390-AA  
 Lester: 3267, 3267, 6646, 6646, 6647, 6647, 6658  
 Dim: Switch Term. M8 x 1.25, M8 x 1.25, M6 x 1.0 Post (LH)  
 Note:

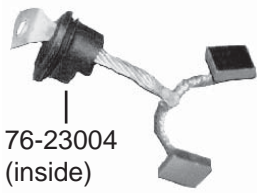


**66-22001**  
**Solenoid Cap Assy.**  
 Replace:  
 Dim: Batt. Term. M8x1.25  
 Motor Term. M8x1.25  
 Swith Term. Male Spade  
 Note: Used on 66-2005 Solenoid



**66-22003**  
**Solenoid Cap Assy.**  
 Replace:  
 Dim: Batt. Term. M8x1.25  
 Motor Term. M8x1.25  
 Swith Term. M6x1.0 Post  
 Note: Used on 66-2007 Solenoid

# FORD PMGR STARTER PARTS



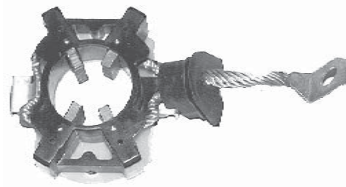
**76-23004**  
(inside)  
**68-2017**  
Brush & Lead Assy-Field (+)



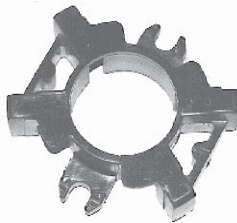
**68-2018**  
Brush- Positive-Field (+)



**76-23005**  
**68-2019**  
Brush - Ground-Negative (-)



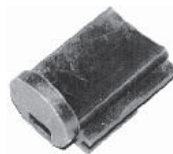
**69-2000**  
Brush Holder Assy.  
Replace: E9OZ-11061-C



**69-22006**  
Brush Holder



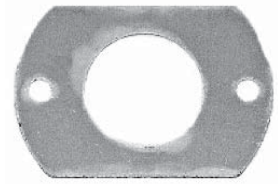
**69-27004**  
Brush Holder Spring



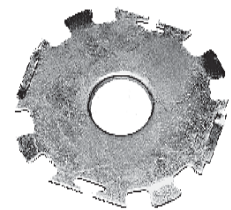
**71-23007**  
Seal - D.E. Housing



**71-23008**  
Grommet - Brush Lead



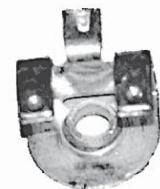
**72-21015**  
Insulator - Brush Holder



**76-23002**  
Gear Retainer  
Replaces: E9OZ-11A167-A



**76-23003**  
Pivot Pad - Shift Lever



**76-23004**  
Bracket - Brush Holder  
Used on 68-2017

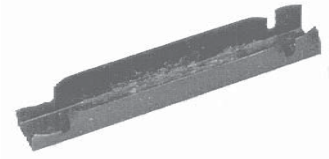
# FORD PMGR STARTER PARTS



**76-23005**  
**Bracket - Ground Brush**  
 Used on 68-2019



**76-28008**  
**Retainer**  
 Replaces: N805404-S



**76-28014**  
**Retainer - Magnet**



**76-26000**  
**Terminal Lead - Brush Holder**



**76-28009**  
**Shaft**  
 Replaces: F0TZ-11355-A



**84-47012**  
**Thrust Washer**  
 Replaces: E9OZ-11036-A



**76-28000**  
**Stop Ring - Drive**  
 Replaces: C2DZ-11222-A



**76-28010**  
**Planetary Gear**  
 Replaces: F0FZ-11K190-A



**85-13017**  
**Thru Bolt**  
 Replaces: E9SZ-11091-A  
 Dim: M5 x 0.8 x 126mm Length.  
 May use 84-82125 M5 x 0.8 x 125mm L



**76-28001**  
**Retainer - Stop Ring**  
 Replaces: D6AZ-11223-A



**76-28011**  
**Stationary Gear**  
 Replaces: E9OZ-11A165-A



**85-13020**  
**Screw - Brush Holder**  
 Replaces: N805406-S36B  
 Dim: M5 x 0.8 x 10mm Length

# Drive End Housing Specified Chart

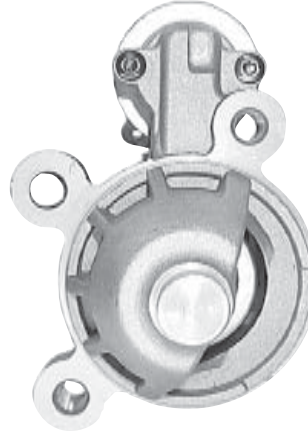
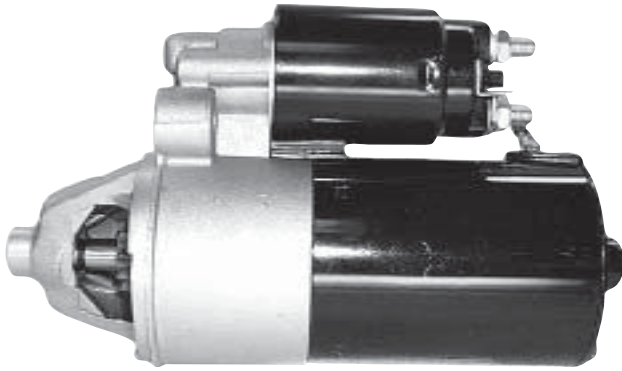
## With 2 Mounting Ears

Drive Open To Right		Drive Open To Left	
<b>51-2041</b>	2 Unthreaded Mounting Ears	<b>51-2037</b>	2 Unthreaded Mounting Ears
<b>51-2042</b>	2 Unthreaded Mounting Ears	<b>51-2044</b>	2 Unthreaded Mounting Ears
		<b>51-2046</b>	1 Unthreaded Mounting Ear & 1 Threaded Mounting Ear
		<b>51-2047</b>	2 Unthreaded Mounting Ears
		<b>51-2048</b>	2 Unthreaded Mounting Ears
		<b>51-2050</b>	2 Unthreaded Mounting Ears
		<b>51-2051</b>	1 Unthreaded Mounting Ear & 1 Threaded Mounting Ear

## With 3 Mounting Ears

Drive Open To Right		Drive Open To Left	
<b>51-2038</b>	2 Threaded Mounting Ears & 1 Dowel Hole	<b>51-2040</b>	2 Threaded Mounting Ears & 1 Unthreaded Mounting Ear
<b>51-2039</b>	3 Threaded Mounting Ears	<b>51-2043</b>	3 Unthreaded Mounting Ears
<b>51-2049</b>	3 Unthreaded Mounting Ears	<b>51-2045</b>	2 Threaded Mounting Ears & 1 Unthreaded Mounting Ear
<b>51-2052</b>	2 Threaded Mounting Ears & 1 Dowel Hole		

## 3204



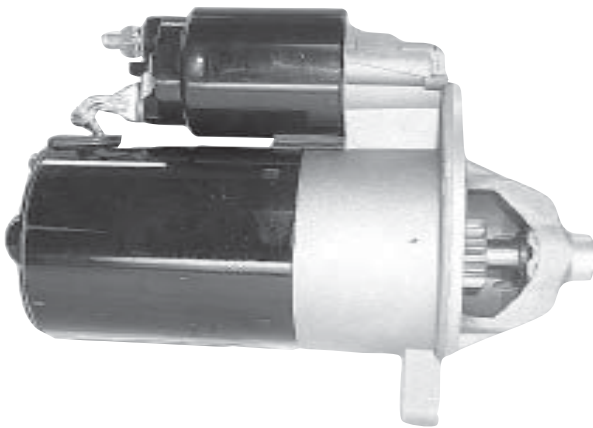
**Lester:** 3204  
**OEM:** F23U-11000-AA  
**Note:** Male Spade  
 S-Terminal  
 Some units may have  
 Exended Thru Bolts

<b>Drive Teeth:</b>	10
<b>D.E. Housing:</b>	51-2038
<b>C.E. Frame:</b>	52-2012
<b>Drive:</b>	54-2012
<b>Solenoid:</b>	66-2005

**Applica-**

1990-97	<b>Ford</b>	Taurus
1992-94		Tempo
1995		Windstar
1989-94	<b>Lincoln</b>	Continental
1990-97	<b>Mercury</b>	Sable
1992-94		Topaz

## 3205



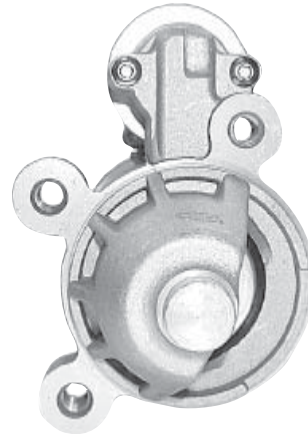
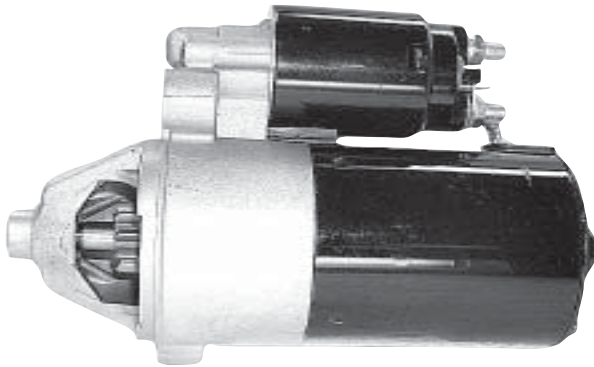
**Lester:** 3205  
**OEM:** E9SF-11000-BA  
**Note:** 15mm Static  
 Pinion Position  
 Male Spade S-Terminal  
 15mm D.E. Hsg. Skirt  
 Length

<b>Drive Teeth:</b>	10
<b>D.E. Housing:</b>	51-2037
<b>C.E. Frame:</b>	52-2012
<b>Drive:</b>	54-2012
<b>Solenoid:</b>	66-2005

**Applica-**

1992-96	<b>Ford</b>	Bronco,E Series Van		
1992-97		F Series Pickup		
1990-91		LTD Crown Victoria		
1992-96		Mustang	1990	<b>Lincoln</b>
1989-96		Thunderbird	1989-96	<b>Mercury</b>
1990-92	<b>Lincoln</b>	Mark VII	1990-91	
				Town Car
				Cougar
				Grand Marquis

## 3213



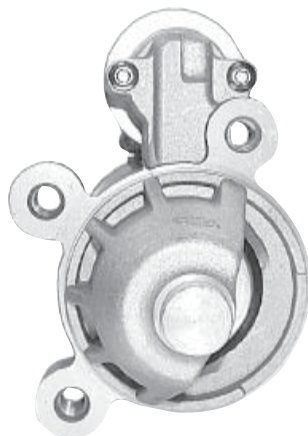
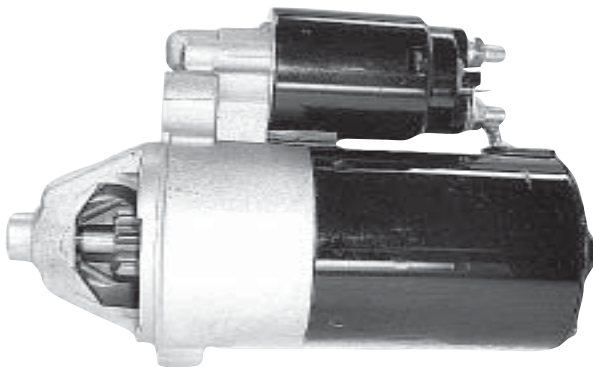
**Lester:** 3213  
**OEM:** F02F-11000-AA  
**Note:** Solenoid w/ Diode

<b>Drive Teeth:</b>	10
<b>D.E. Housing:</b>	51-2039
<b>C.E. Frame:</b>	52-2012
<b>Drive:</b>	54-2012
<b>Solenoid:</b>	66-2005

### Applica-

1990-92 **Ford** Probe

## 3213



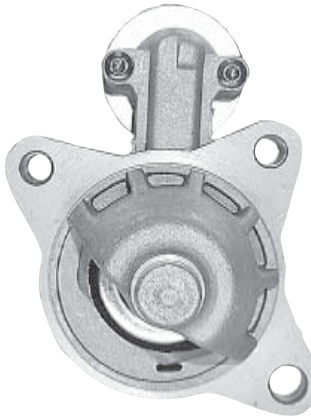
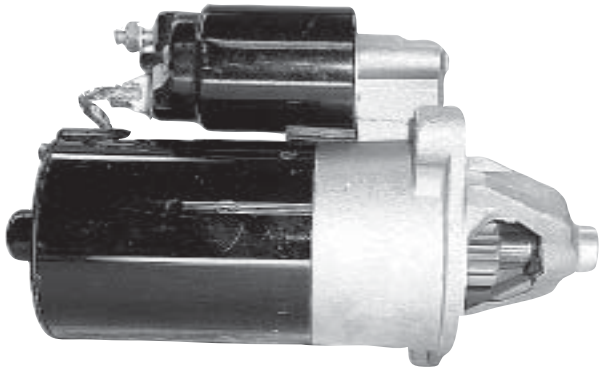
**Lester:** 3213  
**OEM:** F13U-11000-AA  
**Note:** Solenoid wo/ Di-

<b>Drive Teeth:</b>	10
<b>D.E. Housing:</b>	51-2039
<b>C.E. Frame:</b>	52-2012
<b>Drive:</b>	54-2012
<b>Solenoid:</b>	66-2005

### Applica-

1992-97 **Ford** Aerostar  
 1991-97 Ranger  
 1991 Taurus  
 1991-94 Tempo  
 1994-96 **Mazda** Pickup  
 1991-94 **Mercury** Topaz

# 3214



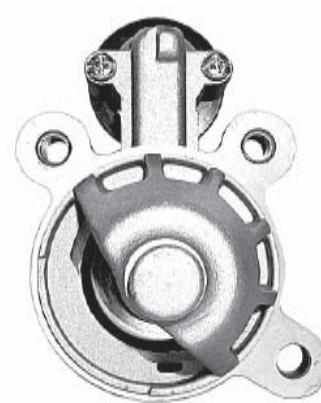
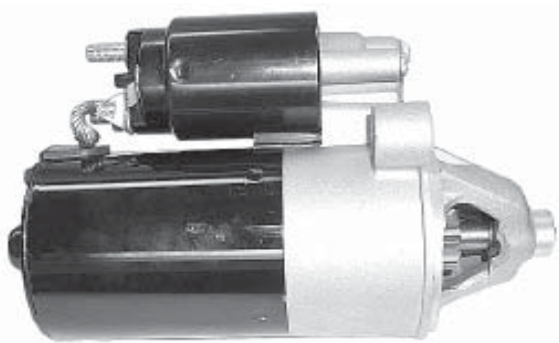
**Lester:** 3314  
**OEM:** F0CU-11001-AA  
**Note:**

<b>Drive Teeth:</b> 9
<b>D.E. Housing:</b> 51-2040
<b>C.E. Frame:</b> 52-2012
<b>Drive:</b> 54-2014
<b>Solenoid:</b> 66-2005

## Application:

1991-96 **Ford** Escort  
**Mercury** Tracer

# 3217



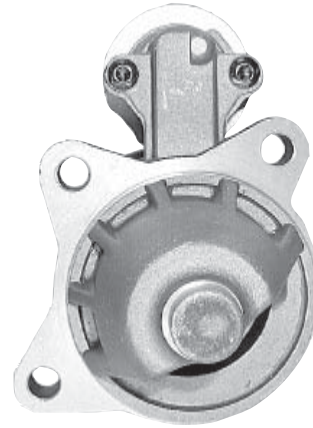
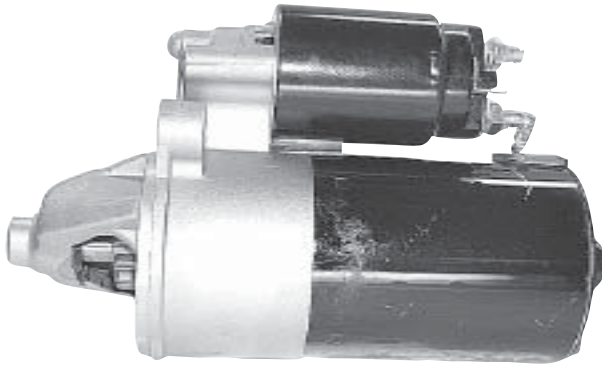
**Lester:** 3217  
**OEM:** F0CU-11001-BA  
**Note:**

<b>Drive Teeth:</b> 10
<b>D.E. Housing:</b> 51-2045
<b>C.E. Frame:</b> 52-2012
<b>Drive:</b> 54-2012
<b>Solenoid:</b> 66-2005

## Application:

1991-97 **Ford** Escort  
**Mercury** Tracer

## 3221



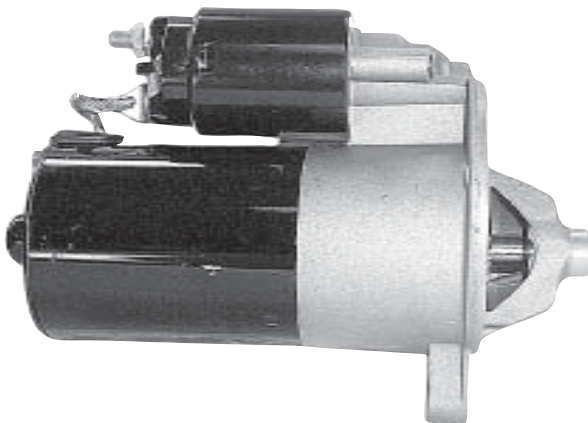
**Lester:** 3221  
**OEM:** F2VU-1000-AD  
**Note:** Male Spade  
 S-Terminal  
 Sealent used between  
 Solenoid, Field Case  
 and D.E. Housing

<b>Drive Teeth:</b>	12
<b>D.E. Housing:</b>	51-2049
<b>C.E. Frame:</b>	52-2012
<b>Drive:</b>	54-2012
<b>Solenoid:</b>	66-2005

**Application:**

1992-95	<b>Ford</b>	Crown Victoria	1994-96	<b>Mercury</b>	Cougar
1997		F Series Pickup	1992-95		Grand Marquis
1996-97		Mustang			
1994-96		Thunderbird			
1993-96	<b>Lincoln</b>	Mark VIII			
1992-95		Town Car			

## 3223



**Lester:** 3223  
**OEM:** F2TU-11000-AA  
**Note:** 6mm Static Pinion  
 Position  
 Male Spade S-Terminal  
 63mm D.E. Hsg. Skirt  
 Length

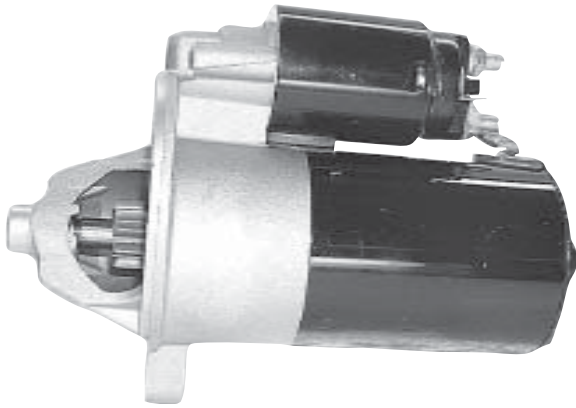
<b>Drive Teeth:</b>	10
<b>D.E. Housing:</b>	51-2048
<b>C.E. Frame:</b>	52-2012
<b>Drive:</b>	54-2012
<b>Solenoid:</b>	66-2005

**Application:**

1992-96	<b>Ford</b>	Bronco
1992-97		F Series Pickup



## 3224



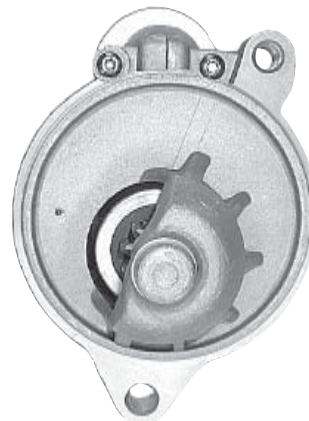
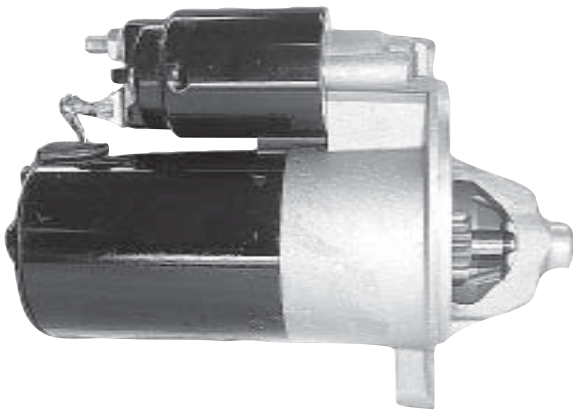
**Lester:** 3224  
**OEM:** F07U-11000-BA  
**Note:** 14mm Static  
Pinion Position

<b>Drive Teeth:</b> 10
<b>D.E. Housing:</b> 51-2042
<b>C.E. Frame:</b> 52-2012
<b>Drive:</b> 54-2012
<b>Solenoid:</b> 66-2005

**Application:**

1993-96 Ford Truck

## 3225



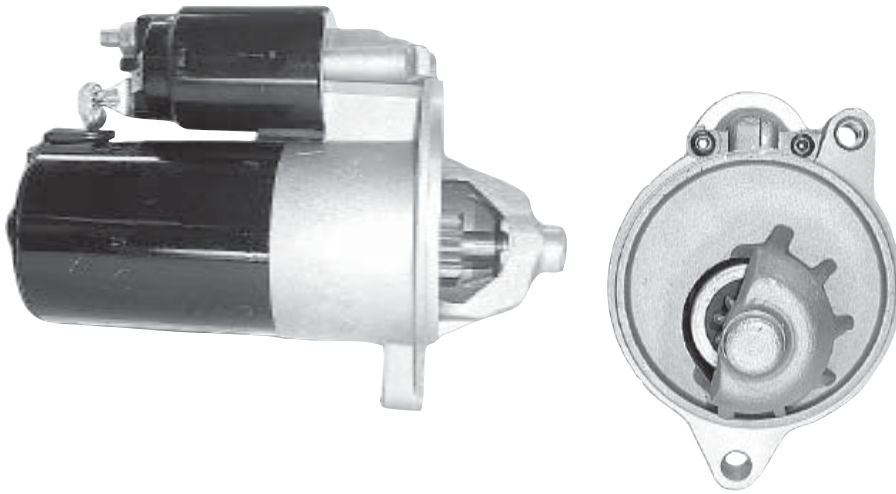
**Lester:** 3225  
**OEM:** F2TU-11000CA  
**Note:** Ear at 12:45 is  
threaded 3/8 x 16  
56mm D.E. Hsg. Skirt  
Length

<b>Drive Teeth:</b> 10
<b>D.E. Housing:</b> 51-2046
<b>C.E. Frame:</b> 52-2012
<b>Drive:</b> 54-2012
<b>Solenoid:</b> 66-2005

**Application:**

1992-97 Ford Series Pickup

## 3226



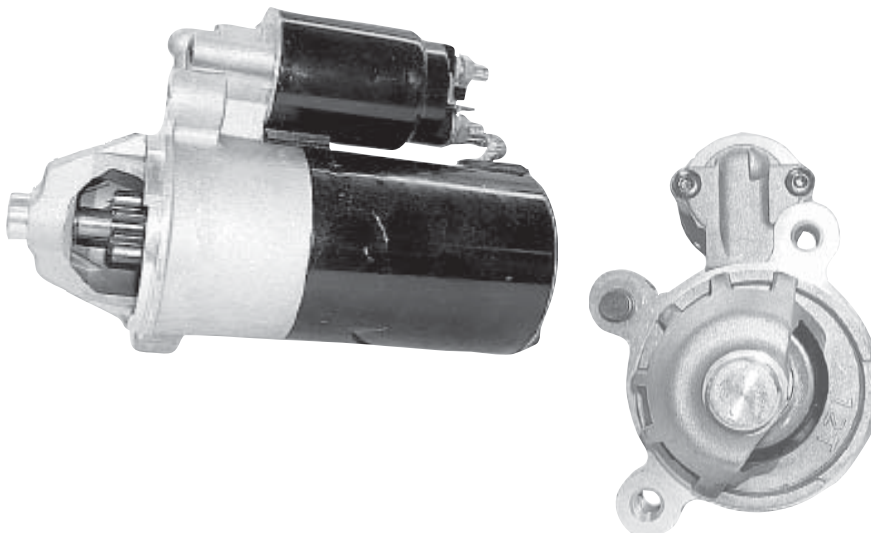
**Lester:** 3226  
**OEM:** F2TU-11000-BA  
**Note:** Ear at 12:45 is threaded 3/8 x 16  
56mm D.E. Hsg. Skirt Length

<b>Drive Teeth:</b>	10
<b>D.E. Housing:</b>	51-2051
<b>C.E. Frame:</b>	52-2012
<b>Drive:</b>	54-2012
<b>Solenoid:</b>	66-2005

### Application:

1992-96 **Ford** E Series Van  
1992-97 F Series Pickup

## 3230



**Lester:** 3230  
**OEM:** F23U-11000-AA  
**Note:** Male Spade S-Terminal

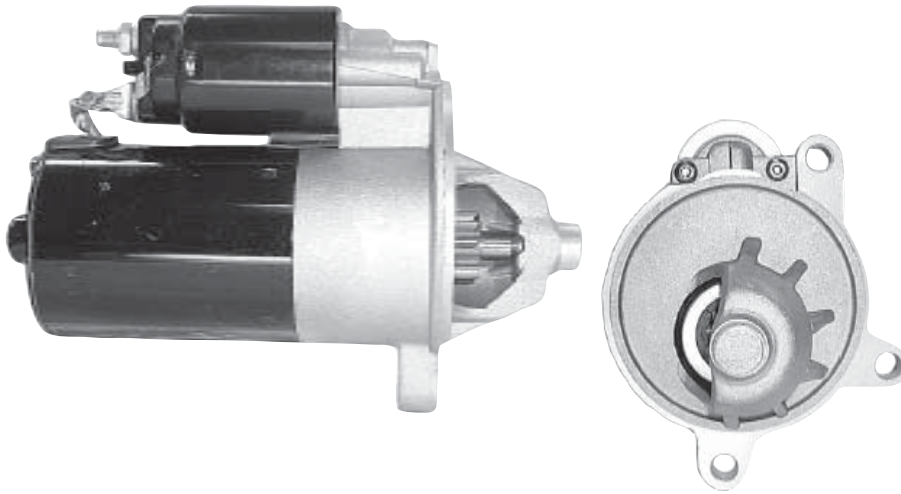
<b>Drive Teeth:</b>	12
<b>D.E. Housing:</b>	51-2052
<b>C.E. Frame:</b>	52-2012
<b>Drive:</b>	54-2015
<b>Solenoid:</b>	66-2005

### Application:

1993-95 **Ford** Taurus

# 3231

**Lester:** 3231  
**OEM:** F1TU-11000-AB  
**Note:**



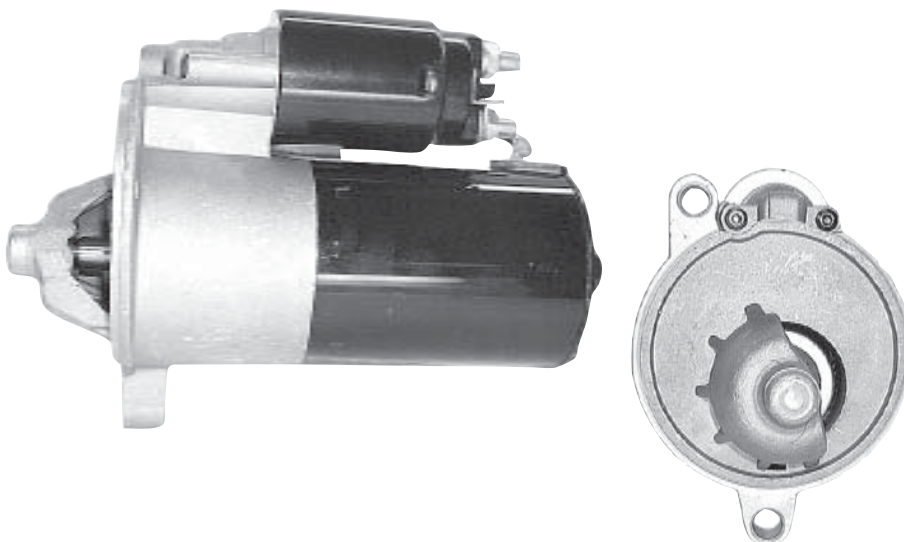
<b>Drive Teeth:</b>	10
<b>D.E. Housing:</b>	51-2043
<b>C.E. Frame:</b>	52-2012
<b>Drive:</b>	54-2012
<b>Solenoid:</b>	66-2005

**Application:**

1992-93 **Ford** Mustang  
 1991-97 **Mazda** Ranger  
 1994-96 Pickup

# 3232

**Lester:** 3232  
**OEM:** F07U-11000-AA  
**Note:** 4mm Static Pinion Position

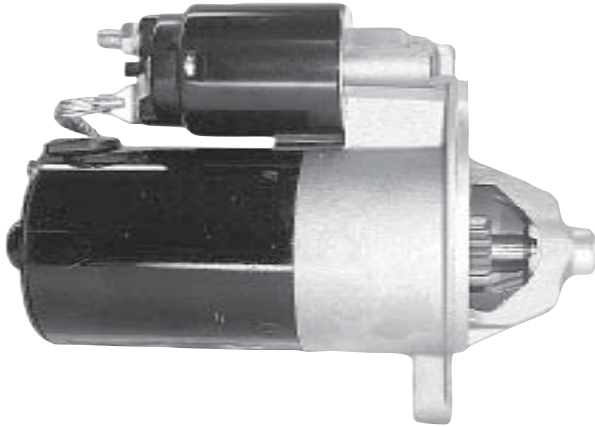


<b>Drive Teeth:</b>	10
<b>D.E. Housing:</b>	51-2041
<b>C.E. Frame:</b>	52-2012
<b>Drive:</b>	54-2012
<b>Solenoid:</b>	66-2005

**Application:**

1991-97 **Ford** Explorer  
 1990-97 Ranger  
 1991-94 **Mazda** Navajo  
 1994-96 Pickup

## 3234



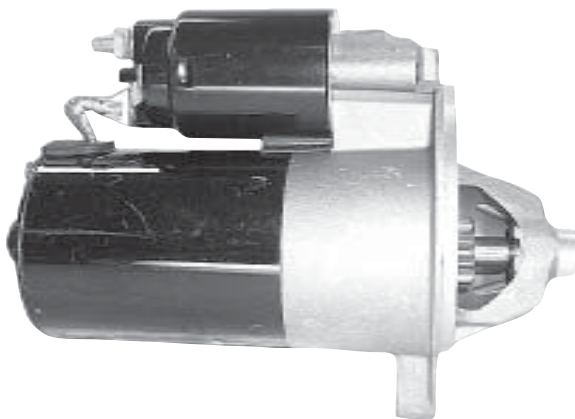
**Lester:** 3234  
**OEM:** F2HT-11000-BA  
**Note:** Ear at 12:45 is unthreaded 11mm 56mm D.E. Hsg. Skirt Length

<b>Drive Teeth:</b> 10
<b>D.E. Housing:</b> 51-2047
<b>C.E. Frame:</b> 52-2012
<b>Drive:</b> 54-2012
<b>Solenoid:</b> 66-2005

**Application:**

1993-96 Ford Truck

## 3235



**Lester:** 3235  
**OEM:** F2HT-11000-AA  
**Note:** Ear at 12:45 is unthreaded 11mm 56mm D.E. Hsg. Skirt Length

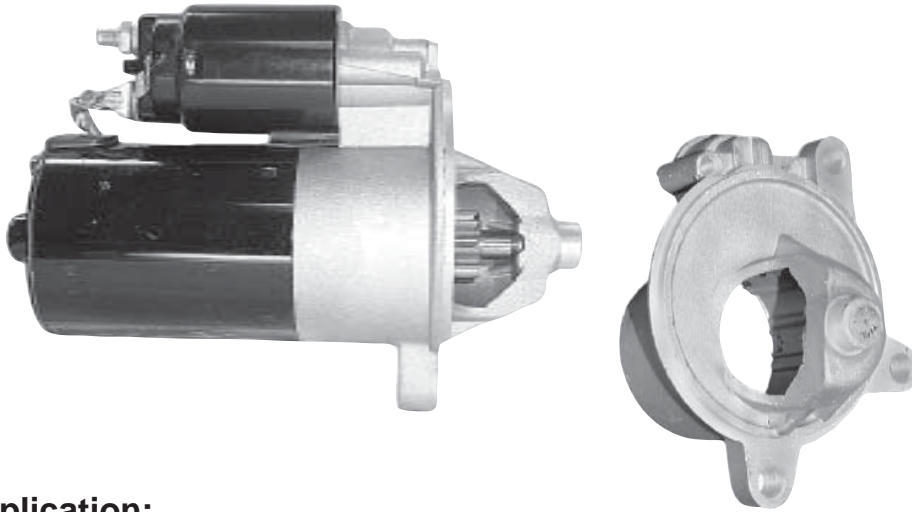
<b>Drive Teeth:</b> 10
<b>D.E. Housing:</b> 51-2050
<b>C.E. Frame:</b> 52-2012
<b>Drive:</b> 54-2012
<b>Solenoid:</b> 66-2005

**Application:**

1993-96 Ford Truck

## 3238

**Lester:** 3238  
**OEM:** F87U-11000-A1A  
**Note:**



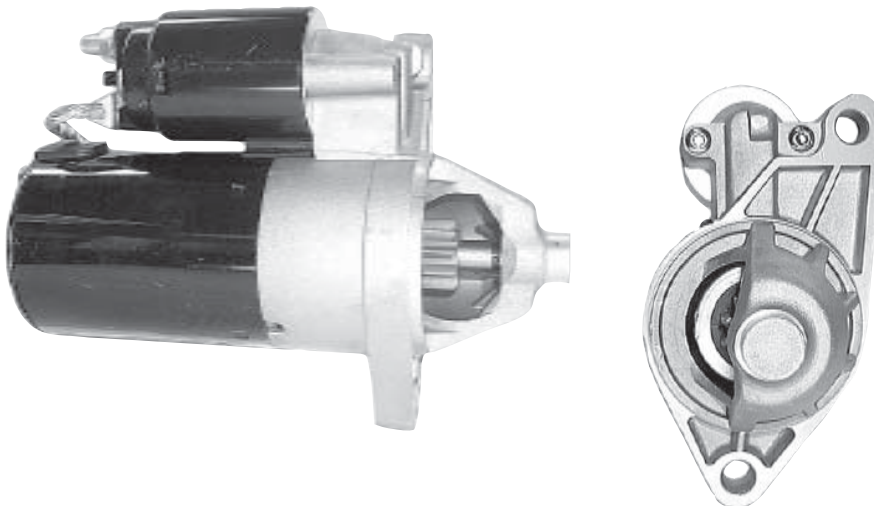
<b>Drive Teeth:</b>	10
<b>D.E. Housing:</b>	51-2043
<b>C.E. Frame:</b>	52-2012
<b>Drive:</b>	54-2012
<b>Solenoid:</b>	66-2008

**Application:**

1997-2001     **Ford**  
                   **Mazda**

## 3242

**Lester:** 3242  
**OEM:** F1VU-11000-AA  
**Note:**

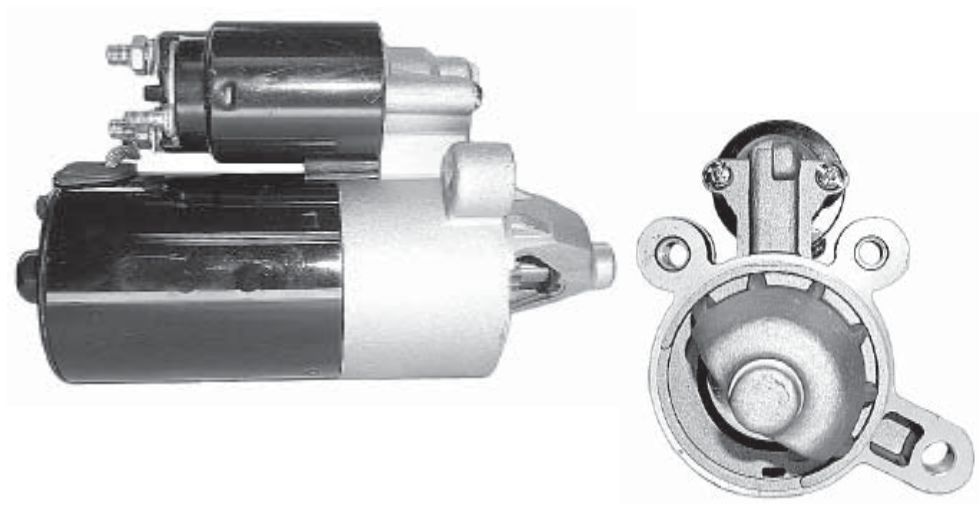


<b>Drive Teeth:</b>	10
<b>D.E. Housing:</b>	51-2044
<b>C.E. Frame:</b>	52-2012
<b>Drive:</b>	54-2012
<b>Solenoid:</b>	66-2005

**Application:**

19992     **Ford**     Crown Victoria  
 1991-92   **Lincoln**   Town Car  
 1992     **Mercury**   Grand Marquis

# 3261

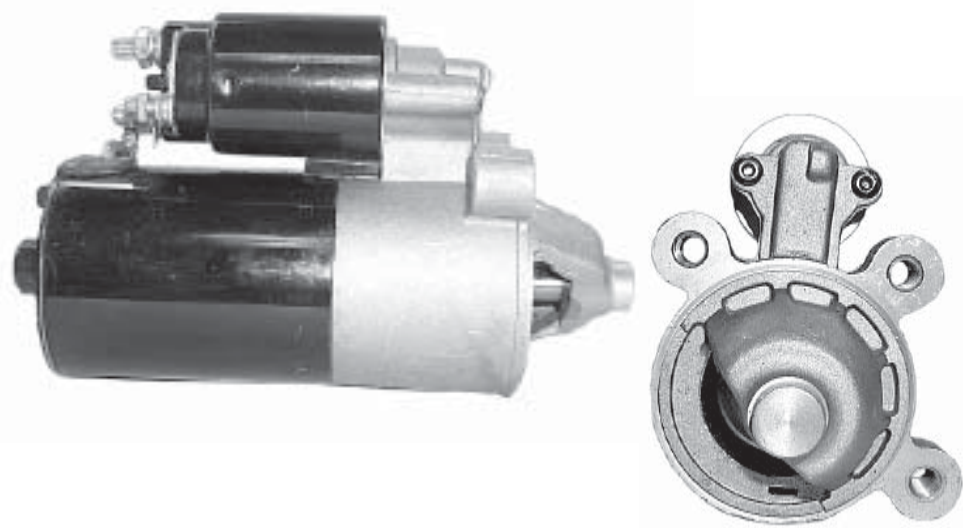


**Lester:** 3261  
**OEM:** 93BB-11000-HB  
**Note:**

<b>Drive Teeth:</b>	10
<b>D.E. Housing:</b>	51-2053
<b>C.E. Frame:</b>	52-2012
<b>Drive:</b>	54-2016
<b>Solenoid:</b>	66-2007

**Application:**  
1995-97 **Ford** Contour  
1995-97 **Mercury** Mystique

# 3262

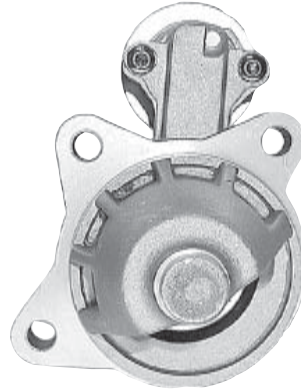
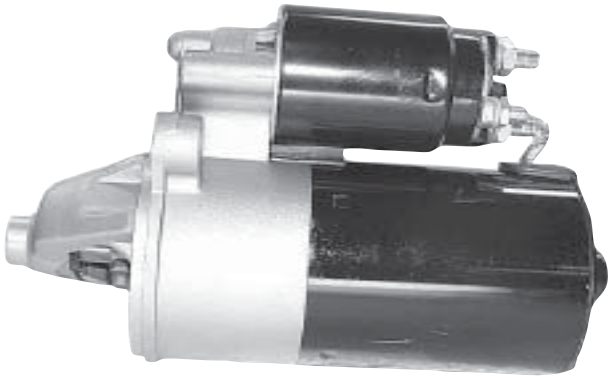


**Lester:** 3262  
**OEM:** 93BB-11000-JB  
**Note:**

<b>Drive Teeth:</b>	10
<b>D.E. Housing:</b>	51-2054
<b>C.E. Frame:</b>	52-2012
<b>Drive:</b>	54-2012
<b>Solenoid:</b>	66-2007

**Application:**  
1995-97 **Ford** Contour  
**Mercury** Mystique

## 3267



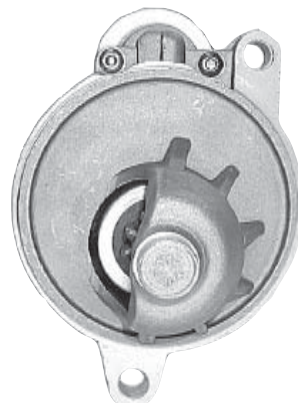
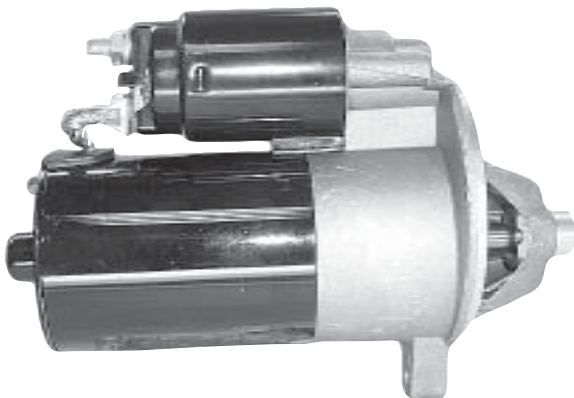
**Lester:** 3267  
**OEM:** F6VU-11000-AA  
**Note:** M6 x 1.0 Post  
 S-Terminal  
 Sealent used between  
 Solenoid, Field Case  
 and D.E. Housing

<b>Drive Teeth:</b>	10
<b>D.E. Housing:</b>	51-2049
<b>C.E. Frame:</b>	52-2012
<b>Drive:</b>	54-2015
<b>Solenoid:</b>	66-2008

**Application:**

1996-97	<b>Ford</b>	Crown Victoria	1996-97	<b>Lincoln</b>	Town Car
1997		E Series Van	1997	<b>Mercury</b>	Cougar
		Expedition	1996-97		Grand Marquis
		Series Pickup			
	<b>Ford</b>	Thunderbird			
	<b>Lincoln</b>	Mark VIII			

## 3268



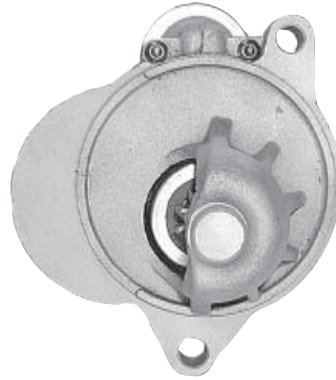
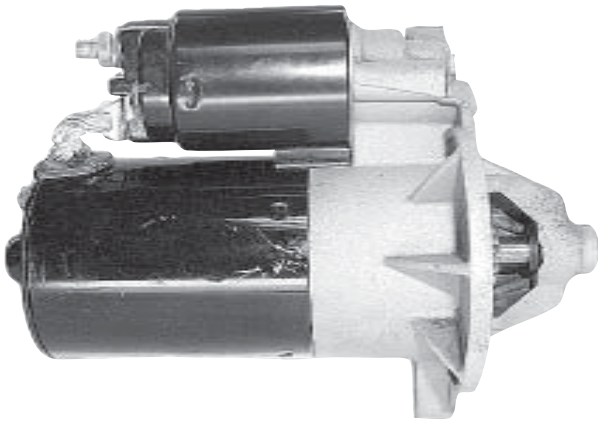
**Lester:** 3268  
**OEM:** F7SU-11000-AA  
**Note:** 15mm Static  
 Pinion Position  
 M6 x 1.0 Post S-Terminal  
 15mm D.E. Hsg. Skirt  
 Length

<b>Drive Teeth:</b>	10
<b>D.E. Housing:</b>	51-2037
<b>C.E. Frame:</b>	52-2012
<b>Drive:</b>	54-2012
<b>Solenoid:</b>	66-2008

**Application:**

1997	<b>Ford</b>	Series Van
		Series Pickup
		Mustang
		Thunderbird
	<b>Mercury</b>	Cougar

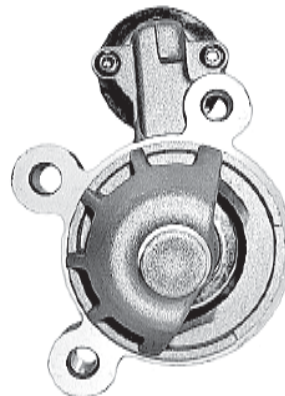
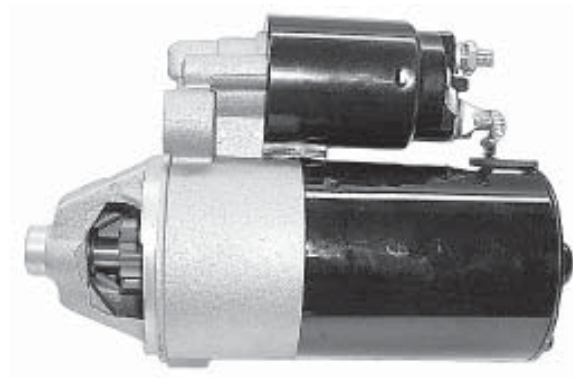
## 3269



**Lester:** 3269  
**OEM:** F67U-11000-AA  
**Note:**

<b>Drive Teeth:</b>	10
<b>D.E. Housing:</b>	51-2057
<b>C.E. Frame:</b>	52-2012
<b>Drive:</b>	54-2012
<b>Solenoid:</b>	66-2005

## 3270



**Lester:** 3270  
**OEM:** F68U-11000-BA  
**Note:** M6 x 1.0 Post  
S-Terminal

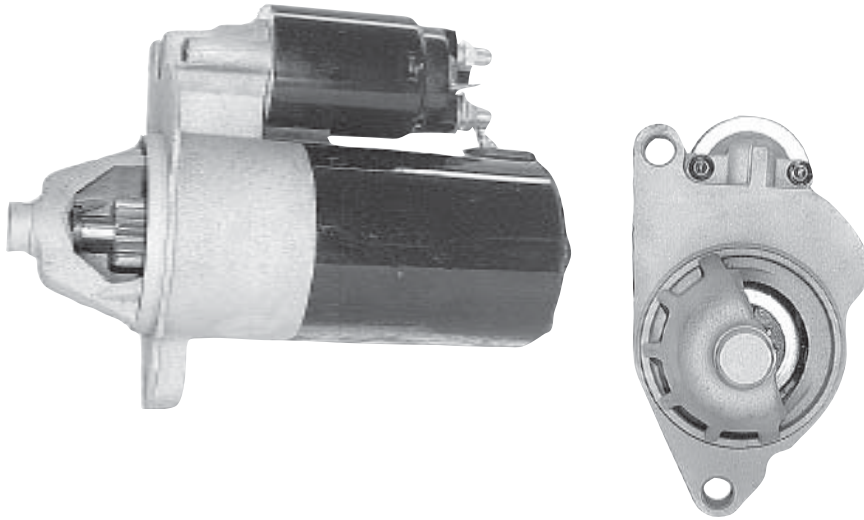
<b>Drive Teeth:</b>	10
<b>D.E. Housing:</b>	51-2038
<b>C.E. Frame:</b>	52-2012
<b>Drive:</b>	54-2012
<b>Solenoid:</b>	66-2007

**Application:**

1996-98 Ford Windstar



# 3271



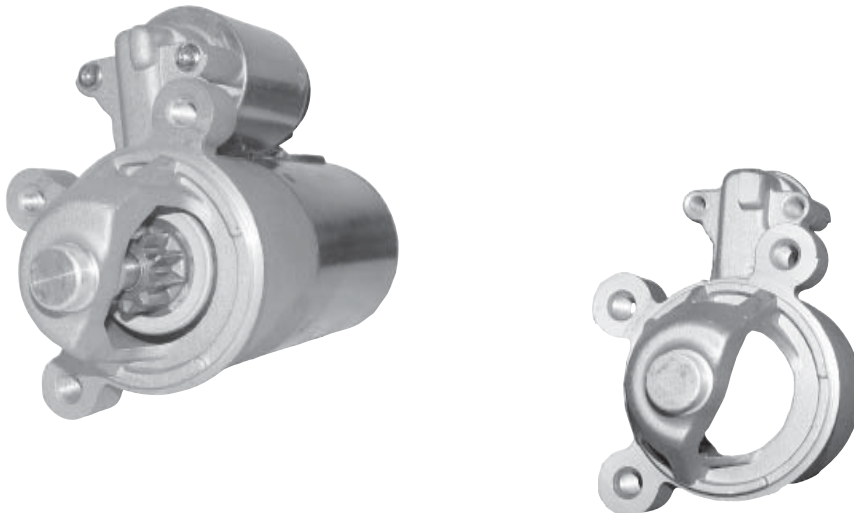
**Lester:** 3271  
**OEM:** F77U-11000-AA  
**Note:**

<b>Drive Teeth:</b>	10
<b>D.E. Housing:</b>	51-2058
<b>C.E. Frame:</b>	52-2012
<b>Drive:</b>	54-2012
<b>Solenoid:</b>	66-2005

**Application:**

1997 **Ford** Aerostar  
Explorer  
Ranger

# 3272

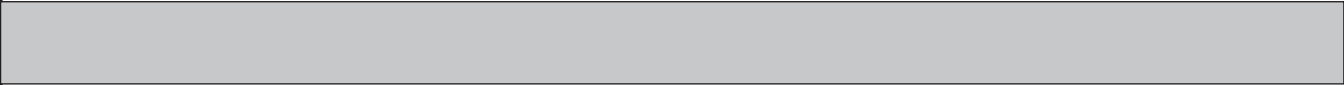
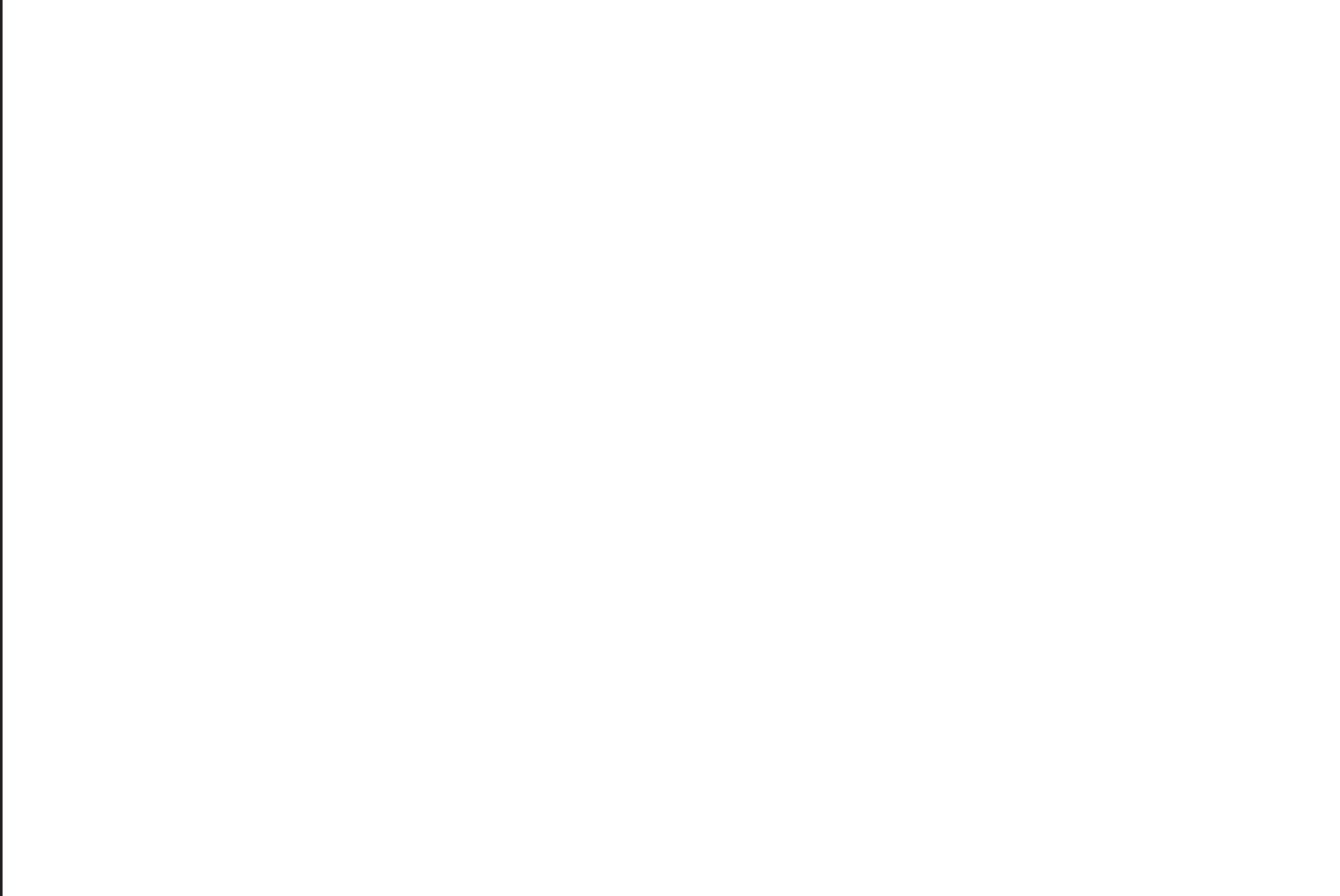


**Lester:** 3272  
**OEM:** F89U-11000-AA  
**Note:**

<b>Drive Teeth:</b>	10
<b>D.E. Housing:</b>	51-2039
<b>C.E. Frame:</b>	52-2012
<b>Drive:</b>	54-2012
<b>Solenoid:</b>	66-2007

**Application:**

1997-07 **Ford** Aerostar  
Ranger  
**Mazda** Pick Up



# Lester to Metro D. E. Housing Cross Reference

Lester	Metro P/N	Page	Lester	Metro P/N	Page
3204	51-2038	5			
3205	51-2037	5			
3213	51-2039	5			
3214	51-2040	5			
3217	51-2045	5			
3219	51-2038	5			
3221	51-2049	6			
3223	51-2048	6			
3224	51-2042	5			
3225	51-2046	6			
3226	51-2051	6			
3230	51-2052	6			
3231	51-2043	5			
3232	51-2041	5			
3234	51-2047	6			
3235	51-2050	6			
3238	51-2043	5			
3242	51-2044	5			
3261	51-2053	6			
3262	51-2054	6			
3263	51-2055	7			
3264	51-2056	7			
3266	51-2056	7			
3267	51-2049	6			
3268	51-2037	5			
3269	51-2057	7			
3270	51-2038	5			
3271	51-2058	7			
3272	51-2039	5			

# OEM Number to Metro Parts Number Cross Reference

OEM Number	Metro P/N	Page	OEM Number	Metro P/N	Page
C2DZ-11222-A	76-28000	10			
D6AZ-11223-A	76-28001	10			
E9OZ-11005-A	61-2010	8			
E9OZ-11036-A	84-47012	10			
E0OZ-11049-A	52-2012	7			
E9OZ-11061-C	69-2000	9			
E9OZ-11067-A	55-2009	7			
E9OZ-11075-A	57-22009	8			
E9OZ-11350-A	54-2012	7			
E9OZ-11390-B	66-2005	8			
E9OZ-11A165-A	76-28011	10			
E9OZ-11A167-A	76-23002	9			
E9SZ-11091-A	85-13017	10			
F0Z-11390-A	66-2005	8			
F0FZ-11350-A	54-2014	7			
F0FZ-11K190-A	76-28010	10			
F0TZ-11130-A	51-2041	5			
F0TZ-11300-B	51-2042	5			
F0TZ-11355-A	76-28009	10			
F1TZ-11130-A	51-2043	5			
F1VY-11130-A	51-2044	5			
F2Z-11130-A	51-2039	5			
F2CZ-11130-A	51-2040	5			
F2CZ-11130-B	51-2045	5			
F2HZ-11130-A	51-2050	6			
F2HZ-11130-B	51-2047	6			
F2OY-11130-A	51-2038	5			
F2SZ-11130-A	51-2037	5			
F2TZ-11130-A	51-2048	6			
F2TZ-11130-B	51-2051	6			
F2TZ-11130-C	51-2046	6			
F2VY-11130-A	51-2049	6			
F2VY-11350-A	54-2015	7			
F77U-11000AA	68-2017	9			
F9OZ-11390-A	66-2005	8			
N805404-S	76-28008	10			
N805406-S36B	85-13020	10			

# *WAI to Metro Parts Number*

## Cross Reference

WAI	Metro	Page	WAI	Metro	Page	WAI	Metro	Page
51-237	51-2037	5						
51-238	51-2038	5						
51-239	51-2039	5						
51-240	51-2040	5						
51-241	51-2041	5						
51-242	51-2042	5						
51-243	51-2043	5						
51-244	51-2044	5						
51-245	51-2045	5						
51-246	51-2046	6						
51-247	51-2047	6						
51-248	51-2048	6						
51-249	51-2049	6						
51-250	51-2050	6						
51-251	51-2051	6						
51-252	51-2052	6						
51-253	51-2053	6						
51-254	51-2054	6						
52-212	52-2012	7						
55-209	55-2009	7						
57-2209	57-22009	8						
58-2500	58-25000	8						
58-2501	58-25001	8						
66-205	66-2005	8						
66-207	66-2007	8						
66-2201	66-22001	8						
66-2203	66-22003	8						
69-2206	69-22006	9						
69-2704	69-27004	9						
71-2307	71-23007	9						
71-2308	71-23008	9						
72-2115	72-21015	9						
76-2302	76-23002	9						
76-2303	76-23003	9						
76-2304	76-23004	9						
76-2305	76-23005	10						
76-2600	76-26000	10						
76-2800	76-28000	10						
76-2801	76-28001	10						
76-2808	76-28008	10						
76-2809	76-28009	10						
76-2810	76-28010	10						
76-2811	76-28011	10						
76-2814	76-28014	10						
84-4712	84-47012	10						







## **Metro Auto Industrial Inc.**

2128 Pomona Blvd • Pomona • CA 91768

Phone:(909)629-2700 • Fax:(909)629-2721

**Toll Free:1-800-263-8761**

[www.metroautoinc.com](http://www.metroautoinc.com)

Information [info@metroautoinc.com](mailto:info@metroautoinc.com)

Care is taken to ensure the accuracy of photo, descriptions and applications of each items,  
but Metro Auto Industrial Inc. assumes no responsibility for possible errors.  
All the OE number and Lester number are for reference use only.